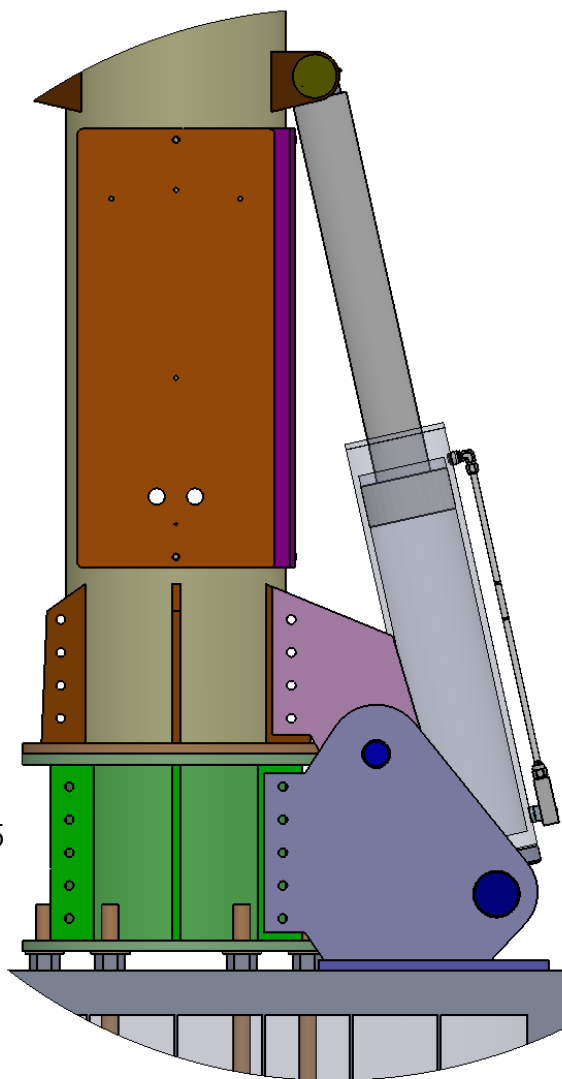


DETAIL A
SCALE 2 : 35



PROPRIETARY AND CONFIDENTIAL

THE INFORMATION CONTAINED IN THIS DRAWING IS THE SOLE PROPERTY OF GM INDUSTRIES. ANY REPRODUCTION IN PART OR AS A WHOLE WITHOUT THE WRITTEN PERMISSION OF GM INDUSTRIES IS PROHIBITED.

GM INDUSTRIES, INC.

TITLE: GM STAR TRACKER

SIZE DWG. NO. 1

A 20" POLE ASSEMBLY

GM INDUSTRIES
350 BABCOCK RD.
TOLLAND, CT 06084

(860)-306-4442

SCALE: 1:65

DATE: 9/15/16

SHEET 1 OF 10